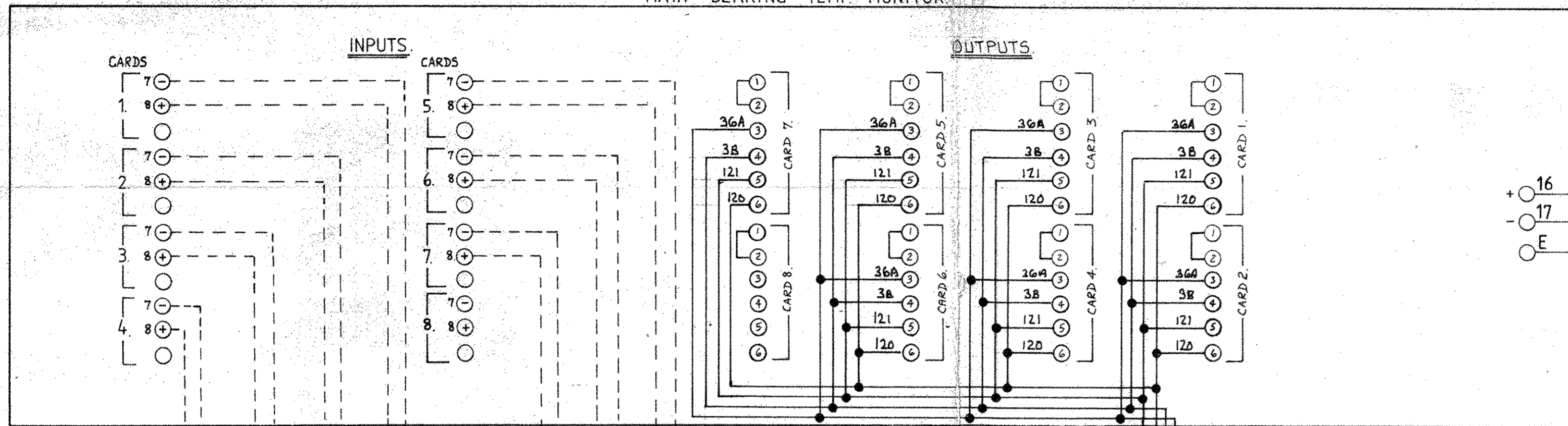


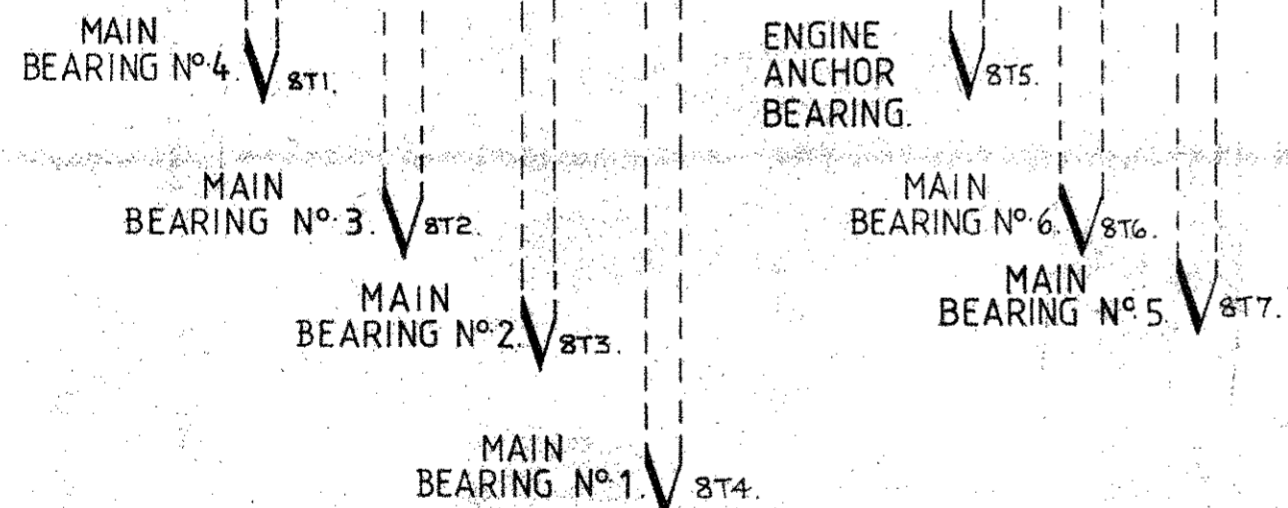
MAIN BEARING TEMP. MONITOR



+ 16 → 24 V. D.C. SUPPLY.  
- 17 → SEE DRG. C/ETS 2715 sht. 1.  
E

→ 36A COMMON ALARM.  
TO 20WAY ALARM MODULE.  
SEE DRG. D/ETS 2715 sht. 3.  
→ 3B.  
→ 120 COMMON TRIP.  
TO 20 WAY ALARM MODULE.  
SEE DRG. D/ETS 2715 sht. 3.  
→ 121.

IRON/CON. THERMOCOUPLES



ENGINE PANEL N°	TEMP. MONITOR SERIAL N°	TEMP. MONITOR MODEL N°
1	10589	C.T.T.M. 252-2AT
2	10591	C.T.T.M. 252-2AT
3	10590	C.T.T.M. 252-2AT
4	10592	C.T.T.M. 252-2AT

CABLE COLOUR

D.C. CONTROL GREY  
EARTH - GREEN/YELLOW

NOTE:- CUSTOMERS CONNECTIONS ARE DIRECT ONTO MONITOR

<p>AMOT CONTROLS LTD ELTON WORKS WESTERN WAY BURY ST. EDMUNDS SUFFOLK ENGLAND</p> <p>© COPYRIGHT AMOT CONTROLS LTD owns the copyright of this drawing which is supplied in confidence and must not be divulged to a third party or reproduced without the prior consent of the owners.</p>	TOLERANCES		MAT'L.	DRWN. D.I.	<p>TITLE SCHEMATIC WIRING DIAGRAM MAIN BEARING TEMP. MODULE. ENGINE PANEL.</p>	
	UNLESS OTHERWISE STATED:		SPEC.	TRCD.		
	DIMS. IN BASIC MM.	±	FINISH	CHKD.		
	DIMS. TO ONE PLACE DEC.	±	SPEC.	APPR.		
	DIMS TO TWO PLACE DEC.	±	SURFACE	M/CD.		SCALE
	ANGULAR DIMS.	±	FINISH	CAST		DATE 12/11/80
RADII CAST:	M/CD	REMOVE SHARP CORNERS		MODEL(S)	DRG. No. C/ETS 2715 sht. 2	

#37