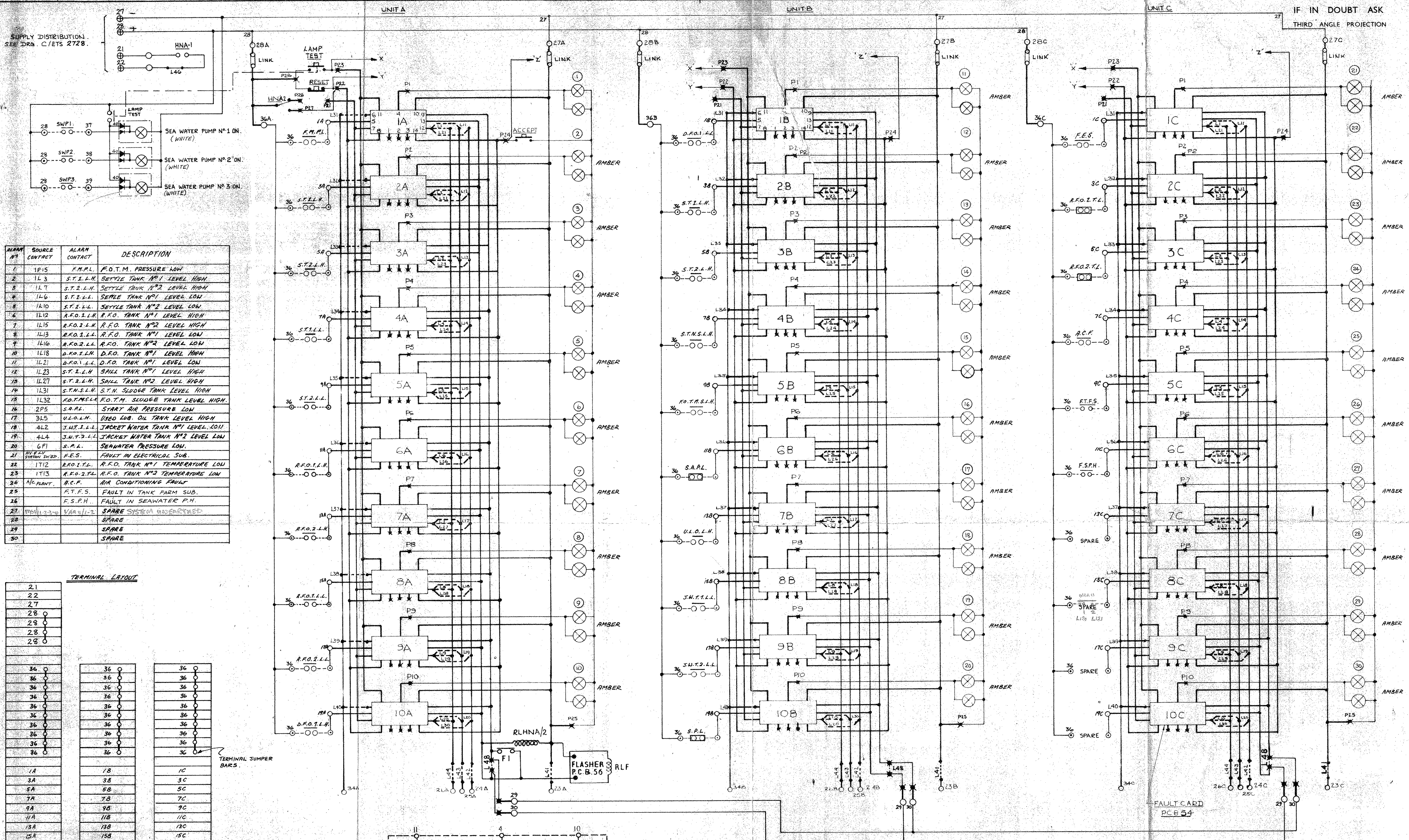


1 CONNECTION LINES ON POSITIVE SIDE OF FAULT SW'S REVISED, TERMS 3 INDICATIONS ADDED POS'S 25, 26, & 27. NOTE CARDS 5C, 6C, & 7C NOT FITTED. JUMPER BARS ADDED TO TERMINAL LAYOUT.

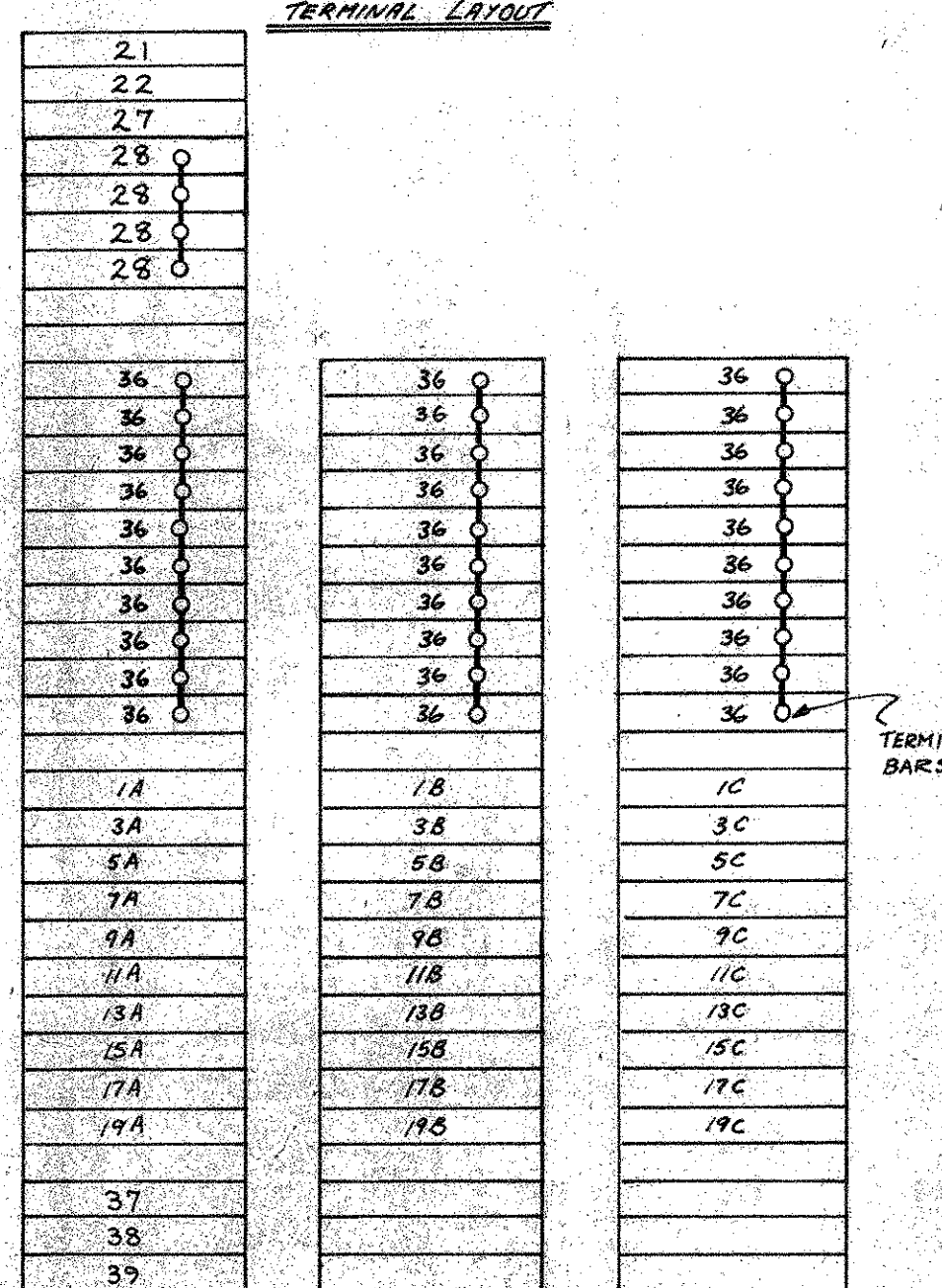
2 SUPPLY DISTRIB. DRG. NO. CORRECTED. SEA WATER PUMPS 1, 2, & 3 DELETED FROM ANNUN. AND SHOWN IN SEPARATE CIRCUIT. & LAMP TEST. 5/5/81. D.I.

3 ALARM NO 1. DESCRIPT. REVISED. NO 25 & 26 ADDED. SOURCE CONTACT TAG BE'S ADDED. 12/8/81. D.I.

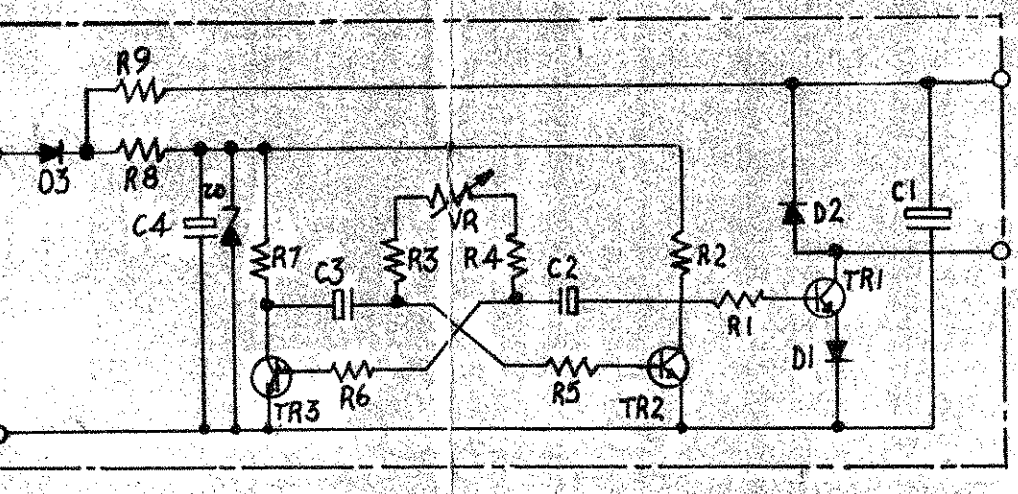
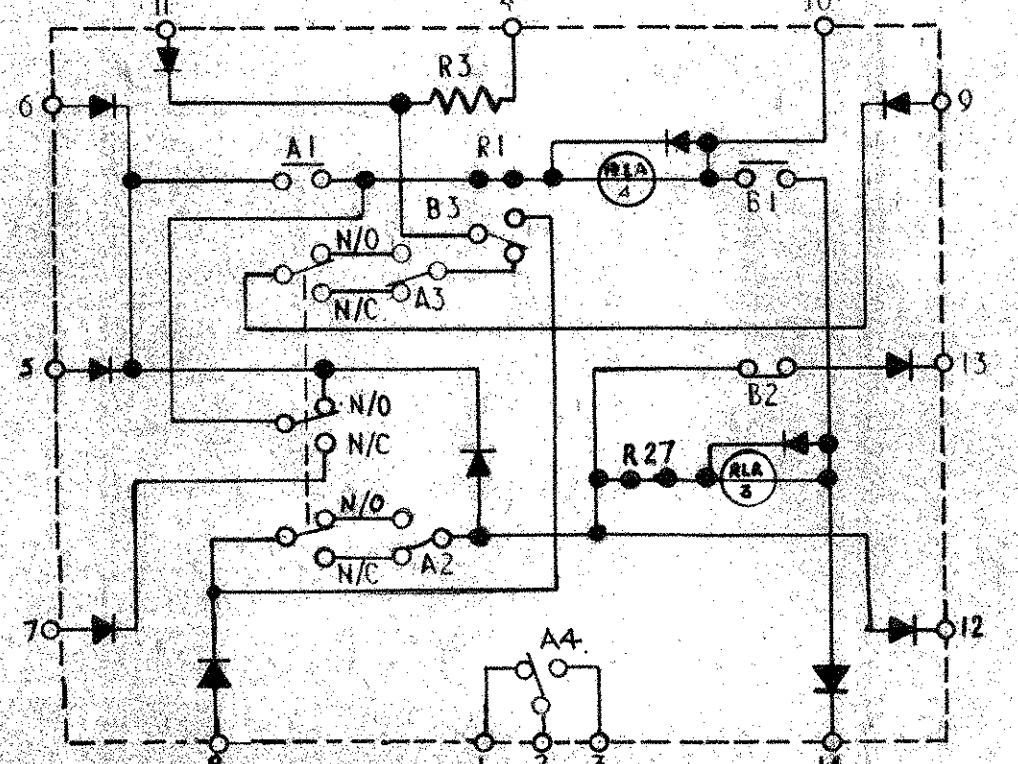
4 MOD TO MARKED UP PRINT AS MADE. 8/16/81



ALARM #	SOURCE CONTACT	ALARM CONTACT	DESCRIPTION
1	1P15	F.M.P.L.	F.O.T.M. PRESSURE LOW
2	1L3	S.T.L.L.H.	SETTLE TANK NO 1 LEVEL HIGH
3	1L7	S.T.L.L.H.	SETTLE TANK NO 2 LEVEL HIGH
4	1L6	S.T.L.L.L.	SETTLE TANK NO 1 LEVEL LOW
5	1L10	S.T.L.L.L.	SETTLE TANK NO 2 LEVEL LOW
6	1L12	R.F.O.L.L.H.	R.F.O. TANK NO 1 LEVEL HIGH
7	1L15	R.F.O.L.L.H.	R.F.O. TANK NO 2 LEVEL HIGH
8	1L13	R.F.O.L.L.L.	R.F.O. TANK NO 1 LEVEL LOW
9	1L16	R.F.O.L.L.L.	R.F.O. TANK NO 2 LEVEL LOW
10	1L18	D.F.O.L.L.H.	D.F.O. TANK NO 1 LEVEL HIGH
11	1L21	D.F.O.L.L.L.	D.F.O. TANK NO 1 LEVEL LOW
12	1L23	S.T.L.L.H.	SPALL TANK NO 1 LEVEL HIGH
13	1L27	S.T.L.L.H.	SPALL TANK NO 2 LEVEL HIGH
14	1L31	S.T.N.S.L.H.	S.T.N. SLUDGE TANK LEVEL HIGH
15	1L32	R.O.T.M.S.L.H.	R.O.T.M. SLUDGE TANK LEVEL HIGH
16	2P5	S.A.P.L.	START AIR PRESSURE LOW
17	3L5	U.L.O.L.H.	USED LUB. OIL TANK LEVEL HIGH
18	4L2	J.W.T.L.L.L.	JACKET WATER TANK NO 1 LEVEL LOW
19	4L4	J.W.T.L.L.L.	JACKET WATER TANK NO 2 LEVEL LOW
20	6P1	S.P.A.L.	SEAWATER PRESSURE LOW
21	SW12	F.E.S.	FAULT IN ELECTRICAL SUB.
22	1T12	R.F.O.L.T.L.	R.F.O. TANK NO 1 TEMPERATURE LOW
23	1T13	R.F.O.L.T.L.	R.F.O. TANK NO 2 TEMPERATURE LOW
24	AC-PLANT	R.C.P.	AIR CONDITIONING FAULT
25		F.T.F.S.	FAULT IN TANK FARM SUB.
26		F.S.P.H.	FAULT IN SEAWATER P.H.
27	VAAN1-2		SPARE SYSTEM UNTESTED
28			SPARE
29			SPARE
30			SPARE



LINES — INDICATES COPPER ON PRINTED CIRCUIT BOARD  
 ■ INDICATES SOLDERED CONNECTION ON PCB  
 ○ INDICATES TERMINAL ON ANNUNCIATOR  
 ⊙ INDICATES TERMINAL (OUTGOING)  
 AI — ALARM ISOLATOR  
 ○—○ INDICATES EXTERNAL WIRING



NOTE: TUBULAR LAMP, M.B.C. FITTING 10mm. 25V. 0.1A. (Lamp No. 1820.)

X'Y'Z' BOARD INTERCONNECTION

TITLE	DRWN D-M	AMOT CONTROLS LTD.,
SCHEMATIC WIRING DIAGRAM	TRCD	ELTON WORKS
STATION PANEL ALARM MODULE	CHKD	WESTERN WAY
	APPR	BURY ST. EDMUNDS
	SCALE ~	SUFFOLK ENGLAND
	DATE 11/11/80	DRG. NO. D/ETS 2728

#40